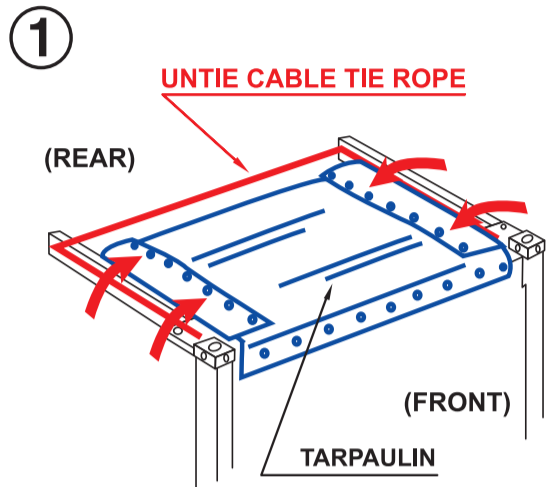


# OPERATING INSTRUCTION

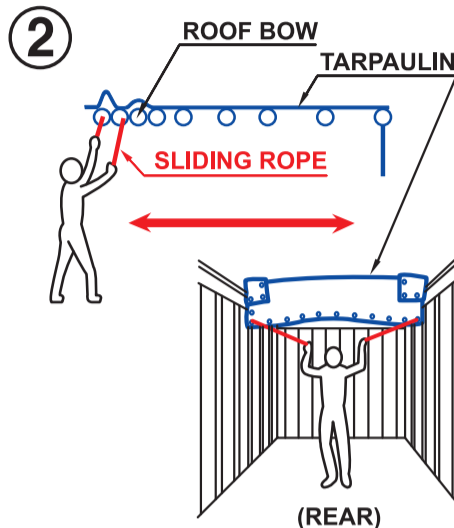
**NOTICE :** It is not necessary to remove roof bow & tarpaulin for normal loading and discharging

**1**

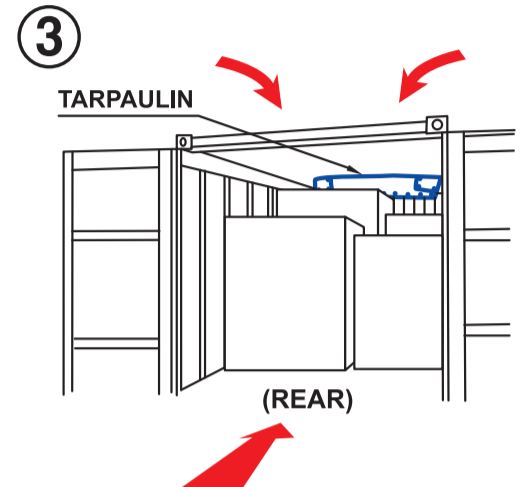
**LOADING  
CARGO**



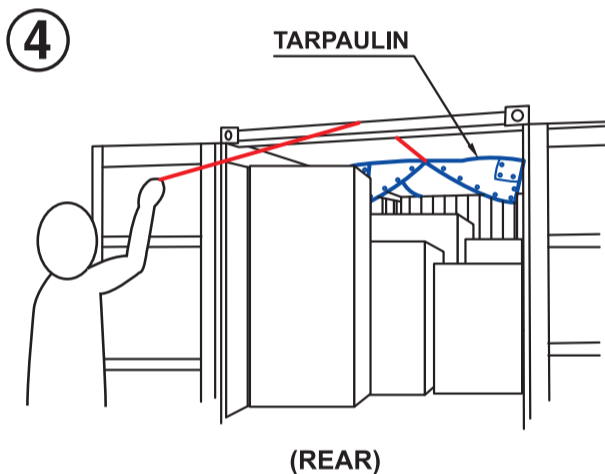
Untie cable tie rope of the rear and both sides. Leave tarpaulin on roof bows



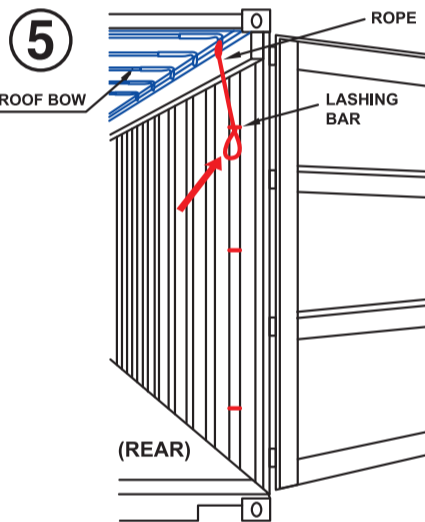
Slide back roof bows and tarpaulin by pulling on ropes of front or rear first roof bows



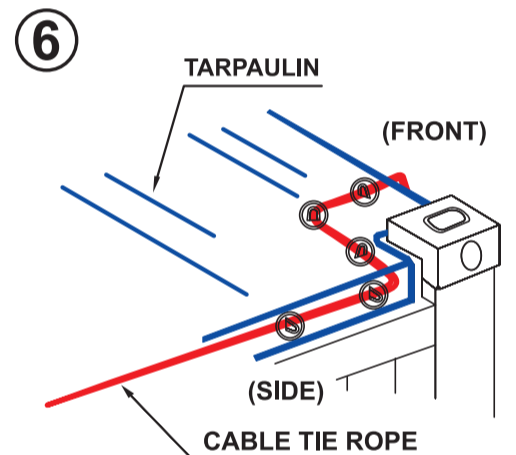
Load cargo inside the container from top or rear



Slide roof bows and tarpaulin back over cargo.



Secure rope of front and rear first roof bows to lashing bars on four(4) corner posts

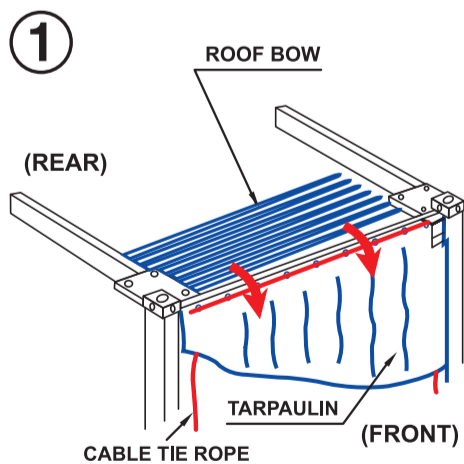


Secure tarpaulin cable tie rope

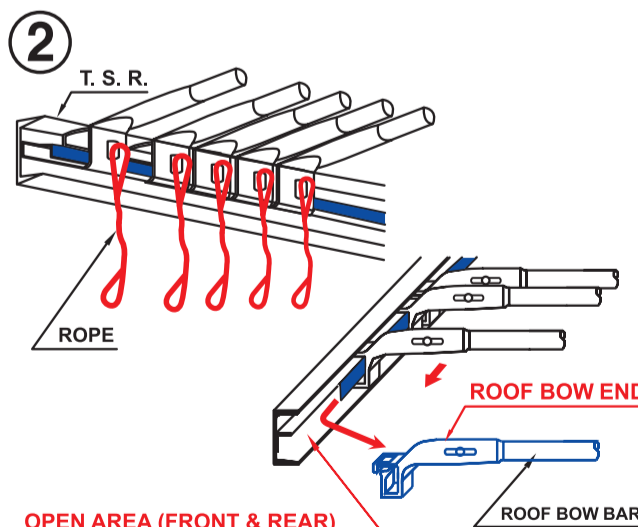
**For full length & over height loading**

**2**

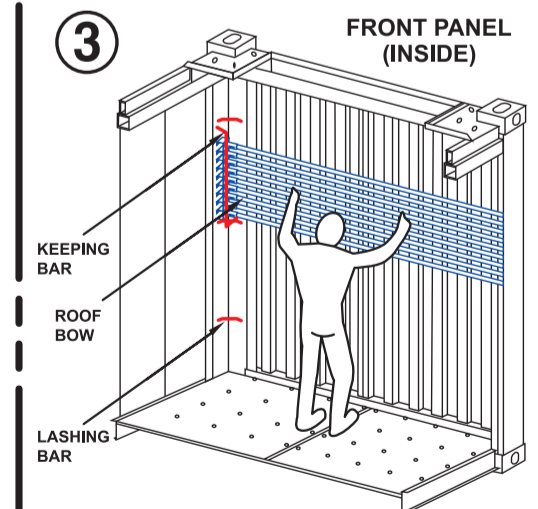
**Removal  
and  
Stowing of  
roof bows**



1) Untie cable tie rope  
2) Slide back roof bows and tarpaulin  
3) Pull tarpaulin over front of container



Remove the roof bows through the gap at the front and rear of the top side rail track. Remove roof bows one at a time



Secure roof bows on front wall of container using support bars provided in corner post

**ATTENTION :** for Technical Informations and/or Roof bow end supply, please contact

Mr. B. J. Chun (bjchun@boxjoin.com) / office tel no. +82 2 6274 1377 / www.boxjoin.com